
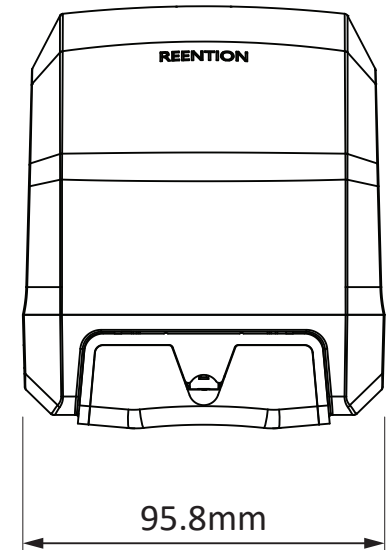
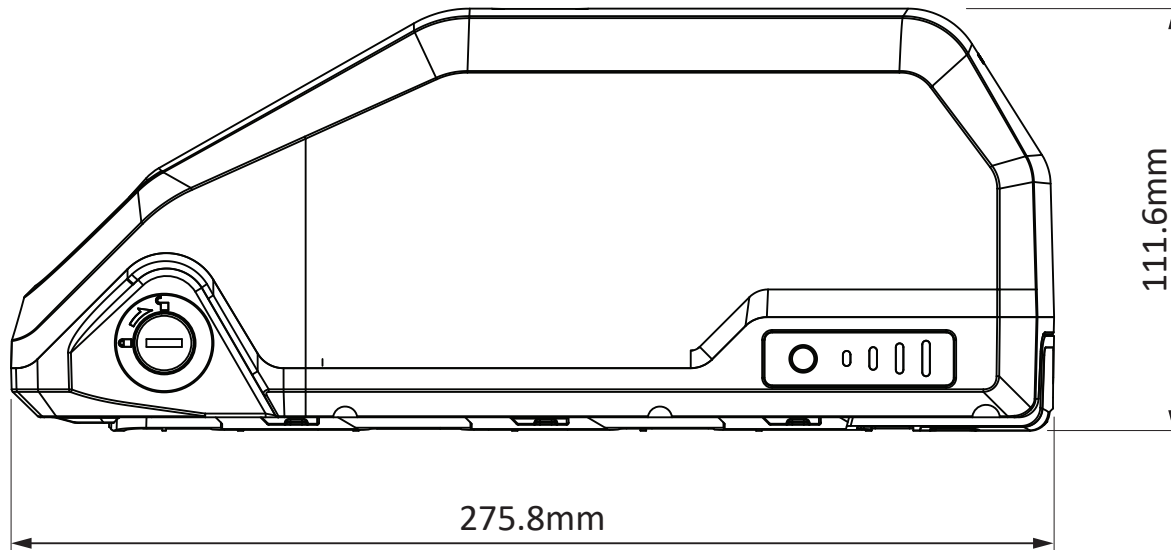
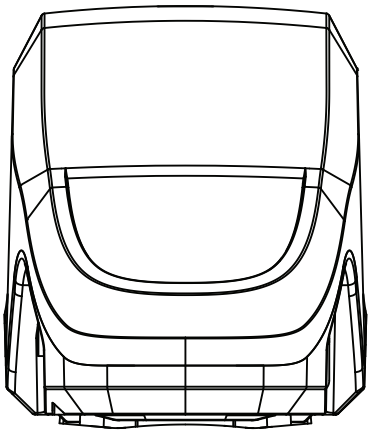
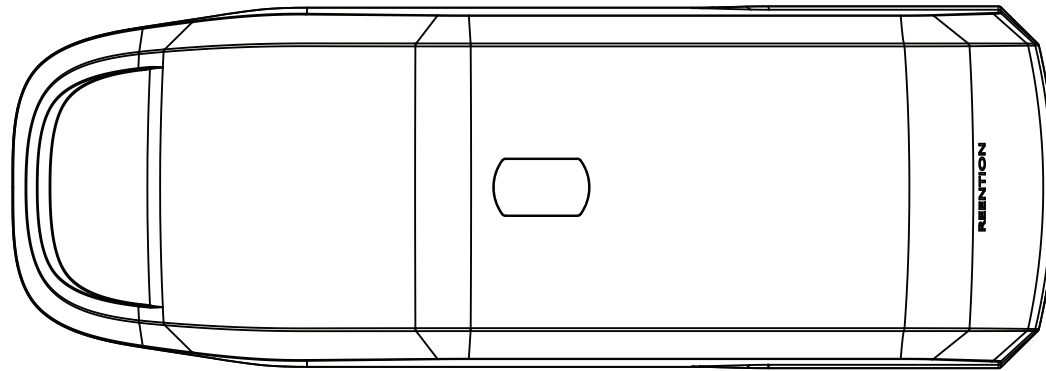


Description: Converted "Wedge" Battery Outline Template	Drawing No: LEK150-00213 Revision: A Scale: 1:1 Page: A4	hello@converted.co.nz
Date: 19-02-2024		
<small>© The information contained in this drawing is the sole property of Lekkie Limited. Any reproduction in part or whole is prohibited without written permission.</small>		



Description: Converted "Wedge"
Battery Outline Template
Date: 19-02-2024

Drawing No: LEK150-00213
Revision: A
Scale: na
Page: A4

hello@converted.co.nz

converted[®]