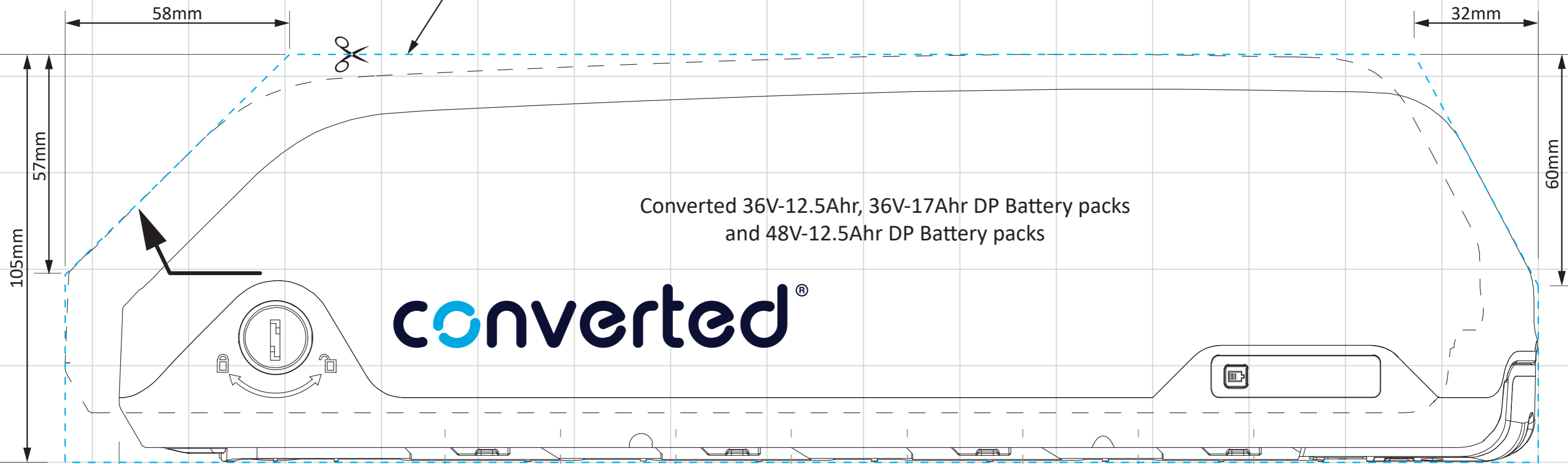
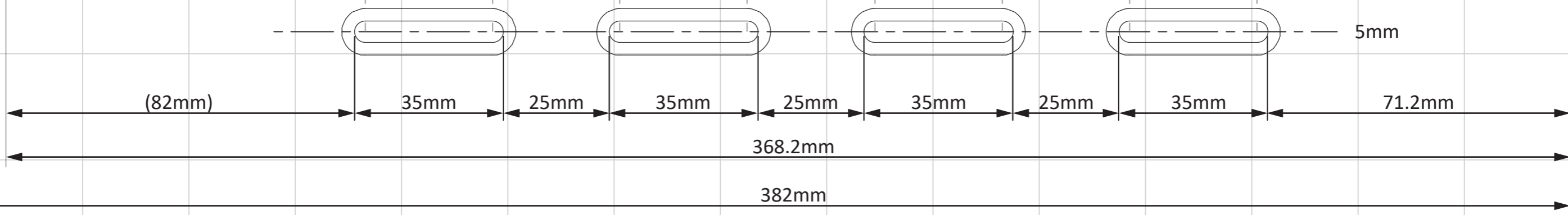


To release from the mounting cradle, the battery slides forward then lifts up. There must be enough clearance to allow this movement.



Bottle cage mounting slots

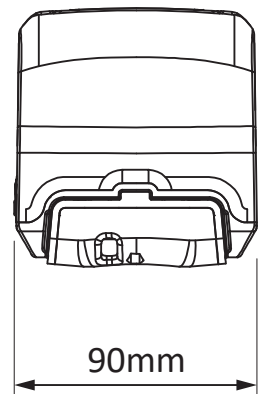
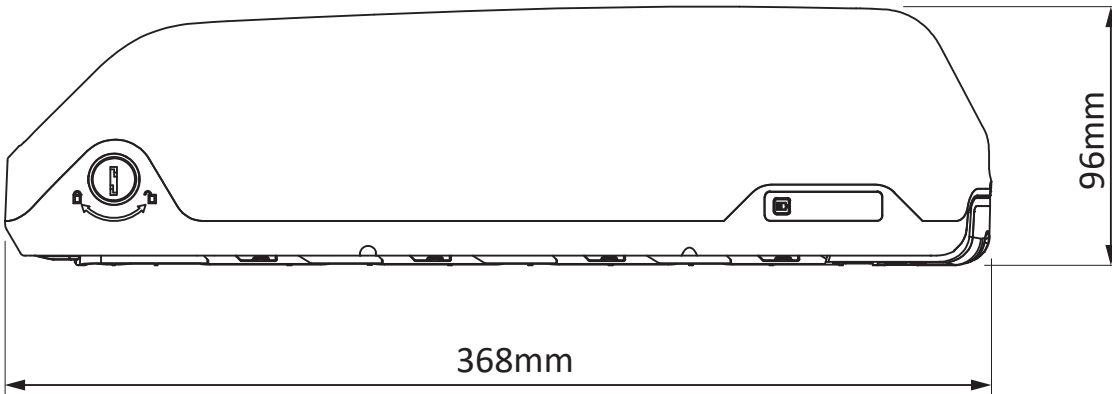
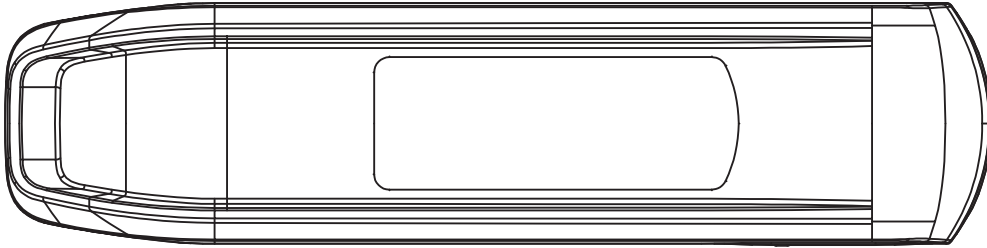


Description: 12.5-17Ahr Battery Outline Template
Date: 10-02-2023

Drawing No: LEK150-00120
Revision: F
Scale: 1:1
Page: A3

hello@converted.co.nz

converted®



Description: 12.5-17Ahr Battery Outline Template
Date: 10-02-2023

Drawing No: LEK150-00120
Revision: F
Scale: na
Page: A4

hello@converted.co.nz

converted[®]

© The information contained in this drawing is the sole property of Lekkie Limited.
Any reproduction in part or whole is prohibited without written permission.